

RF Coaxial Connectors

TS-9B Series :RF Coaxial Connectors with Switch (4GHz)

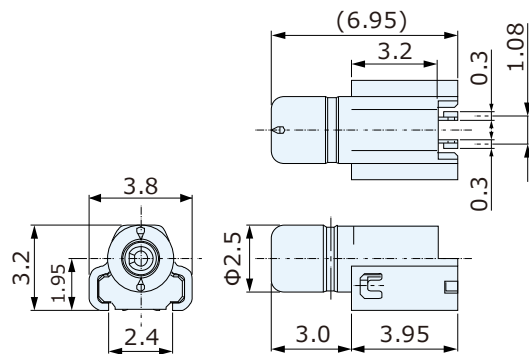
■ Features

1. Coaxial connector with switch of right-angle type, that can be connected to an external circuit.
2. The operating frequency ranges extensively from DC to 4GHz with good RF performance.
3. Receptacles are available on-board type and mid-mount type.
 On Board Type:CRS5001-5701F
 Mid Mount Type:CRS5001-5001F, CRS5001-6701F (Through Hole Type)
4. The compatible plug is our TS-9P series, and this plug can be used with either the TS-9A or B series.
5. Mating of the plug and receptacle is a half-locking structure with positive click feeling.
6. Embossed taping for automatic mounter.

■ Specification

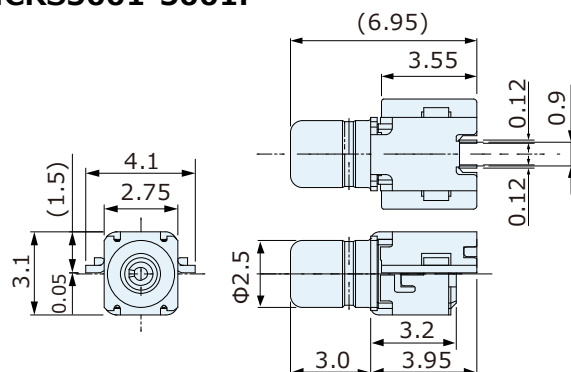
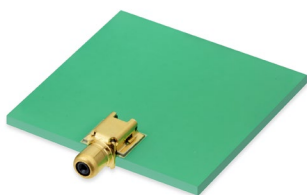
- Frequency Impedance :DC to 4GHz
- Nominal Impedance :50Ω
- Mounting Height :3.2mm,1.5mm
- Mounting Direction :Right-angle
- Switch :with
- Rating :100V AC/DC
- V.S.W.R. :Normal close 1.3 max. (DC to 1GHz), 1.4 max. (1 to 3GHz), 1.5 max. (3 to 4GHz) [CRS5001-5001F, CRS5001-6701F], 1.6 max. (3 to 4GHz) [CRS5001-5701F]
- Insertion Loss :Normal close 0.2dB max. (DC to 1GHz), 0.3dB max. (1 to 3GHz), 0.5dB max. (3 to 4GHz) [CRS5001-5001F, CRS5001-6701F], 0.6dB max. (3 to 4GHz) [CRS5001-5701F]
- Operating Temperature Range: -25°C to +85°C

Receptacle : CRS5001-5701F



On Board Type

Receptacle:CRS5001-5001F



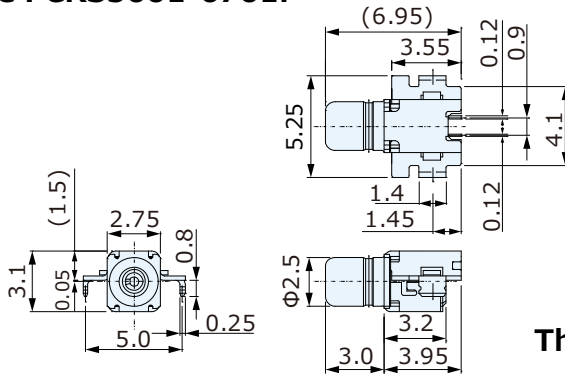
Mid Mount Type

RF Coaxial Connectors

TS-9B Series :RF Coaxial Connectors with Switch (4GHz)



Receptacle : CRS5001-6701F



Through Hole Type