

3.5mm Dia. Jacks

■ Features

1. A small $\phi 3.5\text{mm}$ jack that was developed for small, mobile equipment.
2. A wide selection is available including surface mounting, DIP, and mid mount types.

■ Specification

1. Electric Performance

- Rating : 1A, 12V DC
- Contact Resistance : $30\text{m}\Omega$ max, $50\text{m}\Omega$ max.
- Insulation Resistance : $100\text{M}\Omega$ min. 500V DC
- Withstanding Voltage : 500V AC (for one minute)


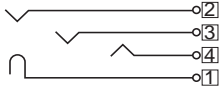

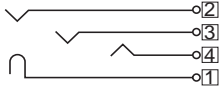
2. Mechanical Performance

- Insertion Force : 35N max. at 3.5mm Dia. gauge
- Withdrawal Force : 3 to 35N at 3.5mm Dia. gauge


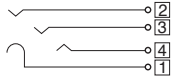
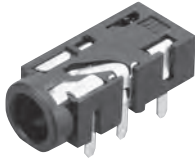
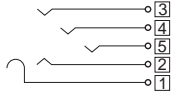

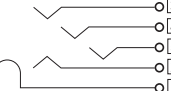
■ Application

Smart phones, mobile phones, tablet PCs, portable audio, other small AV equipment.

Mini Jacks


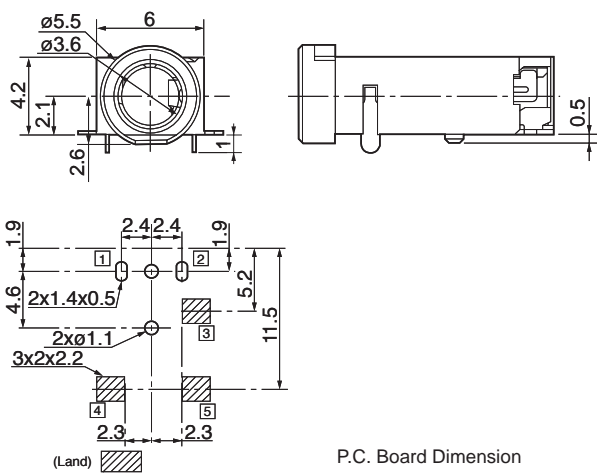
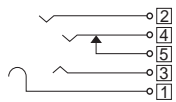

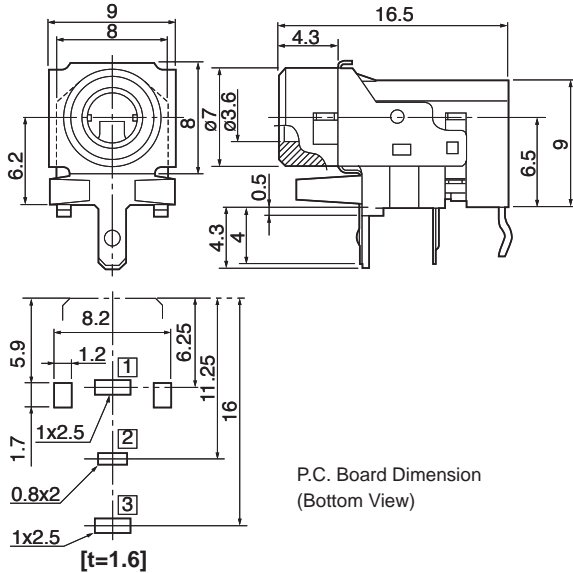
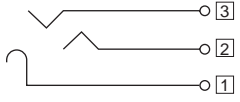

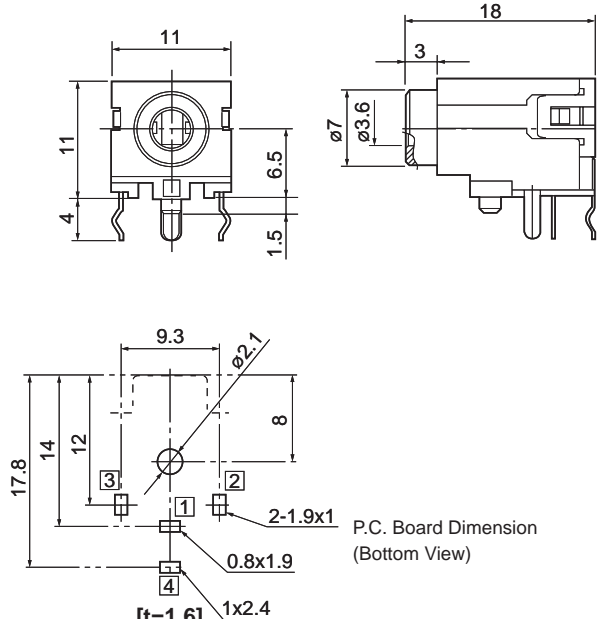
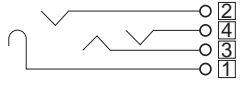
<p>LGY22□9-0101F</p> 	<p>(LGY2209-0101F)</p> <table border="1" data-bbox="845 1265 1013 1377"> <tr> <td><input type="checkbox"/></td> <td>Metal Sleeve</td> </tr> <tr> <td>0</td> <td>Without</td> </tr> <tr> <td>1</td> <td>With</td> </tr> </table> <p>P.C. Board Dimension (Top View)</p> <p>(500pcs/reel)</p>	<input type="checkbox"/>	Metal Sleeve	0	Without	1	With	<p>Circuits</p>  <p>Reflow Soldering</p>
<input type="checkbox"/>	Metal Sleeve							
0	Without							
1	With							
<p>LGY2209-03□□F</p> 	<p>P.C. Board Dimension (Bottom View)</p> <table border="1" data-bbox="542 2004 774 2072"> <tr> <td><input type="checkbox"/></td> <td>Housing Color</td> </tr> <tr> <td>00</td> <td>Black</td> </tr> </table> <p>[t=0.8]</p>	<input type="checkbox"/>	Housing Color	00	Black	<p>Circuits</p>  <p>Manual Soldering</p>		
<input type="checkbox"/>	Housing Color							
00	Black							

3.5mm Dia. Jacks


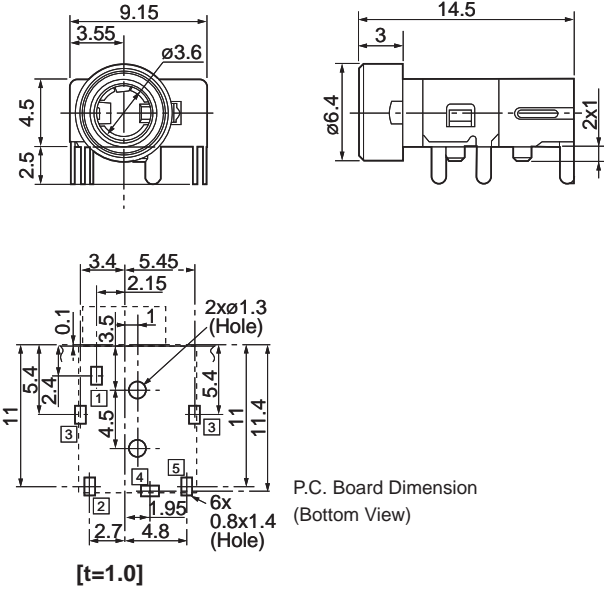
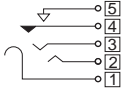

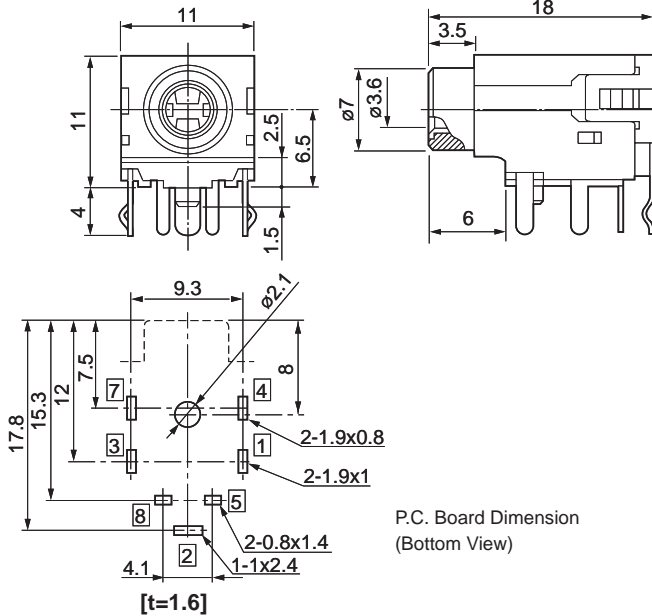
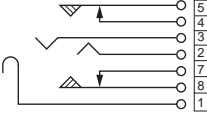

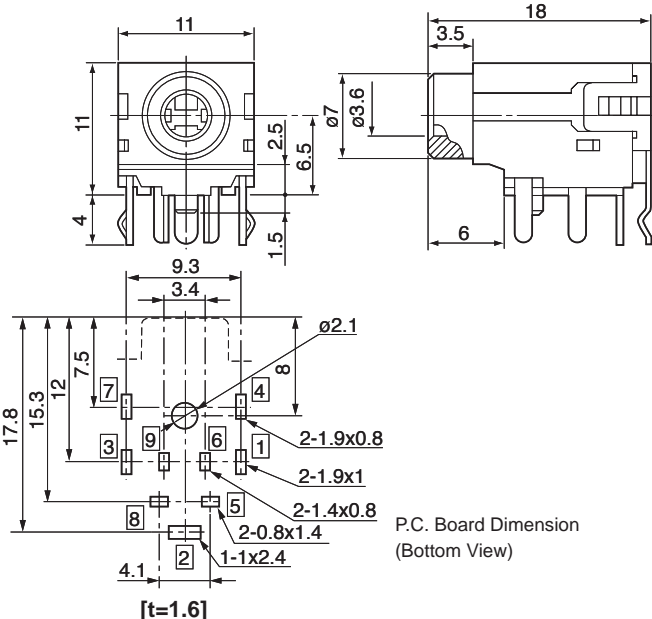
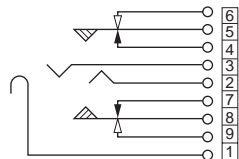
<p>LGY2209-0800F</p> 	<p>P.C. Board Dimension (Bottom View)</p> <p>※ Shading Type</p>	<p>Circuits</p>  <p>Reflow Soldering Manual Soldering</p>
<p>DIP Type</p>		
<p>LGY2109-0200F</p> 	<p>P.C. Board Dimension (Bottom View)</p> <p>No printed this area (Component Side)</p>	<p>Circuits</p>  <p>Manual Soldering</p>
<p>DIP Type</p>		
<p>LGY2109-1701F</p> 	<p>P.C. Board Dimension (Top View)</p>	<p>Circuits</p>  <p>Reflow Soldering Manual Soldering</p>
<p>DIP Type</p>		

3.5mm Dia. Jacks

Mini Jacks


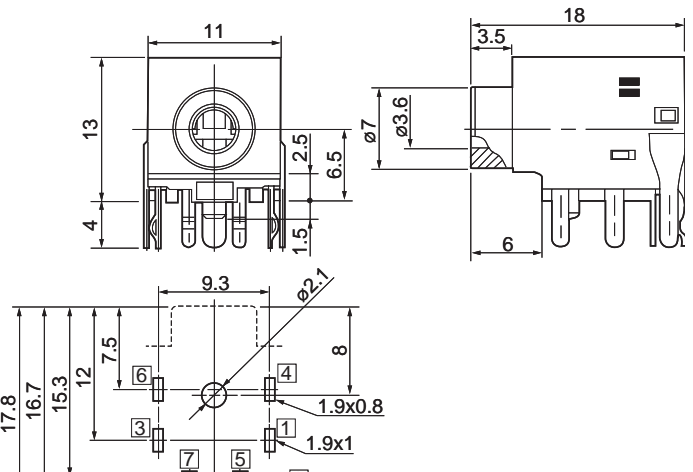
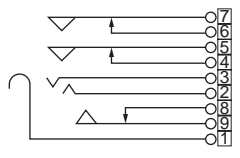

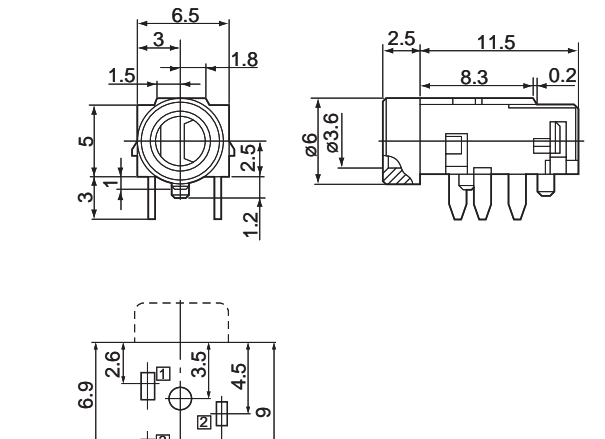
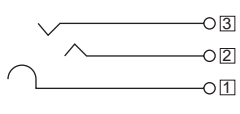

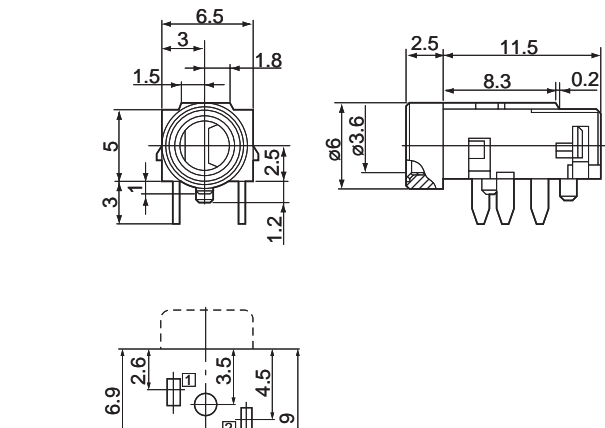
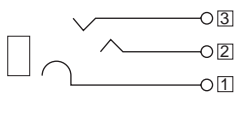
<p>LGY2109-3301F</p> 	 <p>P.C. Board Dimension (Top View)</p>	<p>Circuits</p> 
<p>DIP / SMD Type</p>	<p>[t=0.8]</p>	<p>Reflow Soldering</p>
<p>LGY6502-0800F</p> 	<p>Noise-Resistant Designed (With Earth Plate)</p>  <p>P.C. Board Dimension (Bottom View)</p>	<p>Circuits</p> 
<p>DIP Type</p>	<p>[t=1.6]</p>	<p>Flow Soldering</p>
<p>LGY6509-0100F</p> 	 <p>P.C. Board Dimension (Bottom View)</p>	<p>Circuits</p> 
<p>DIP Type</p>	<p>[t=1.6]</p>	<p>Flow Soldering</p>

3.5mm Dia. Jacks


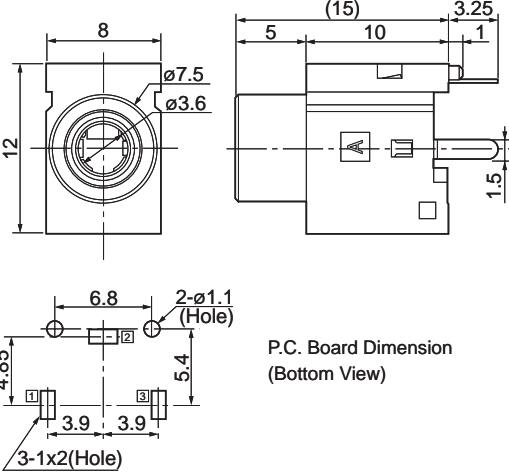
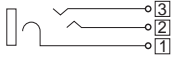

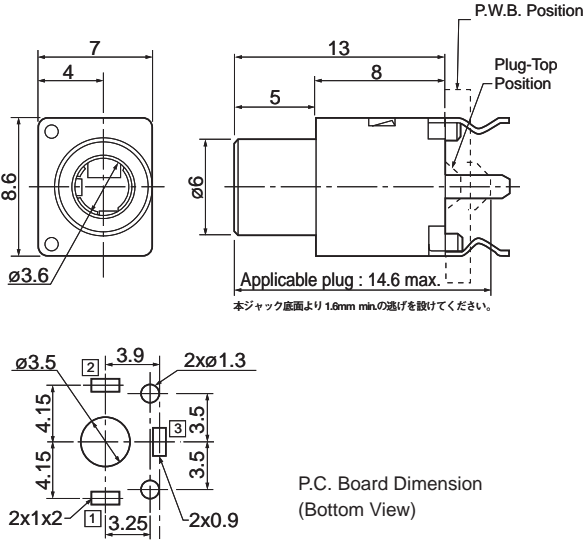
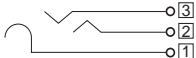

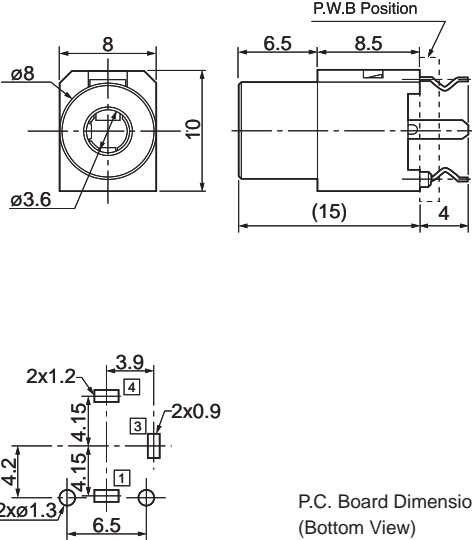

<p>LGS2318-0100F</p> 	 <p>P.C. Board Dimension (Bottom View)</p> <p>[t=1.0]</p>	<p>Circuits</p>  <p>Manual Soldering</p>
<p>LGS6506-0700F</p> 	 <p>P.C. Board Dimension (Bottom View)</p> <p>[t=1.6]</p>	<p>Circuits</p>  <p>Flow Soldering</p>
<p>LGS6507-1300F</p> 	 <p>P.C. Board Dimension (Bottom View)</p> <p>[t=1.6]</p>	<p>Circuits</p>  <p>Flow Soldering</p>

3.5mm Dia. Jacks

Mini Jacks


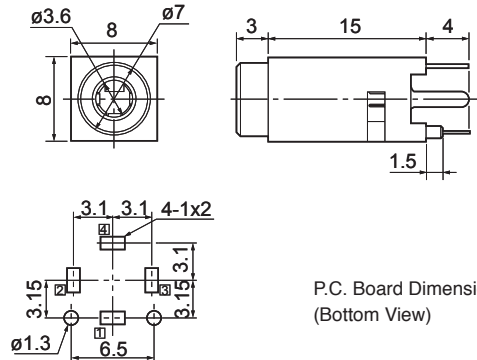
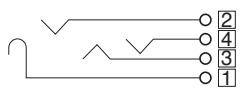

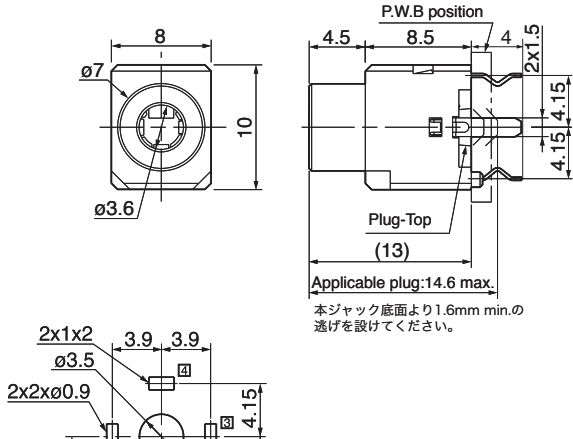
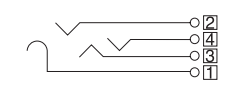

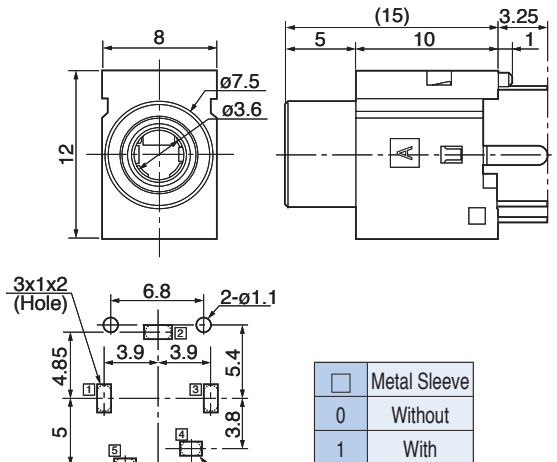
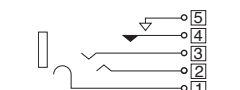
<p>LGS6509-1000F</p> 	 <p>P.C. Board Dimension (Bottom View)</p> <p>[t=1.6]</p>	<p>Circuits</p> 
<p>DIP Type</p>	<p>Flow Soldering</p>	
<p>LGY2502-0200F</p> 	 <p>P.C. Board Dimension (Bottom View)</p> <p>[t=1.2/1.6]</p>	<p>Circuits</p> 
<p>DIP Type</p>	<p>Flow Soldering (Please contact about soldering condition) Manual Soldering</p>	
<p>LGY2512-0100F</p> 	 <p>P.C. Board Dimension (Bottom View)</p> <p>[t=1.2/1.6]</p>	<p>Circuits</p> 
<p>DIP Type</p>	<p>Flow Soldering (Please contact about soldering condition) Manual Soldering</p>	

3.5mm Dia. Jacks

<p>LGT10□2-0100F</p> 	 <p>P.C. Board Dimension (Bottom View)</p> <p>[t=1.6]</p> <p>※ Pattern compatible with LGM10□9</p> <table border="1" data-bbox="954 730 1114 831"> <thead> <tr> <th></th> <th>Metal Sleeve</th> </tr> </thead> <tbody> <tr> <td>0</td> <td>Without</td> </tr> <tr> <td>1</td> <td>With</td> </tr> </tbody> </table>		Metal Sleeve	0	Without	1	With	<p>Circuits</p>  <p>Manual Soldering</p>
	Metal Sleeve							
0	Without							
1	With							
<p>DIP Type</p>								
<p>LGT8002-0100F</p> 	 <p>P.C. Board Dimension (Bottom View)</p> <p>[t=1.6]</p> <p>Applicable plug : 14.6 max. 本ジャック底面より1.6mm min.の逃げを設けてください。</p>	<p>Circuits</p>  <p>Manual Soldering</p>						
<p>DIP Type</p>								
<p>LGT8502-0200F</p> 	 <p>P.C. Board Dimension (Bottom View)</p> <p>[t=1.6]</p>	<p>Circuits</p>  <p>Flow Soldering Manual Soldering</p>						
<p>DIP Type</p>								

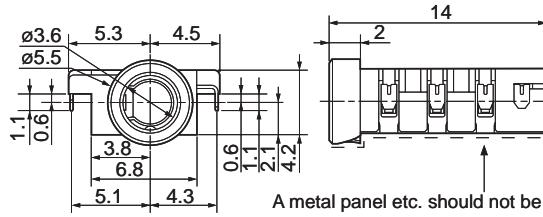
3.5mm Dia. Jacks

Mini Jacks

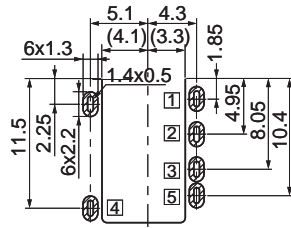
<p style="text-align: center;">LGT1509-0200F</p> 	 <p style="text-align: center;">P.C. Board Dimension (Bottom View)</p> <p style="text-align: center;">[t=1.6]</p>	<p>Circuits</p>  <p style="text-align: center;">Flow Soldering Manual Soldering</p>						
<p style="text-align: center;">DIP Type</p>								
<p style="text-align: center;">LGT8509-0300F</p> 	 <p style="text-align: center;">P.C. Board Dimension (Bottom View)</p> <p style="text-align: center;">[t=1.6]</p> <p style="text-align: center;">Applicable plug: 14.6 max. 本ジャック底面より1.6mm min.の 逃げを設けてください。</p>	<p>Circuits</p>  <p style="text-align: center;">Manual Soldering</p>						
<p style="text-align: center;">DIP Type</p>								
<p style="text-align: center;">LGM10□9-0100F</p> 	 <table border="1" style="margin-left: auto; margin-right: auto;"> <tr> <td style="text-align: center;">□</td> <td>Metal Sleeve</td> </tr> <tr> <td style="text-align: center;">0</td> <td>Without</td> </tr> <tr> <td style="text-align: center;">1</td> <td>With</td> </tr> </table> <p style="text-align: center;">P.C. Board Dimension (Bottom View)</p> <p style="text-align: center;">[t=1.6]</p>	□	Metal Sleeve	0	Without	1	With	<p>Circuits</p>  <p style="text-align: center;">Manual Soldering</p>
□	Metal Sleeve							
0	Without							
1	With							
<p style="text-align: center;">DIP Type</p>	<p>※ Pattern compatible with LGT10□2</p>							

3.5mm Dia. Jacks

LGY0609-0600F



A metal panel etc. should not be installed near this area.

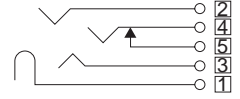


P.C. Board Dimension (Top View)

(Land)

[t=0.8]

Circuits



Reflow Soldering
Manual Soldering

Mid Mount Type